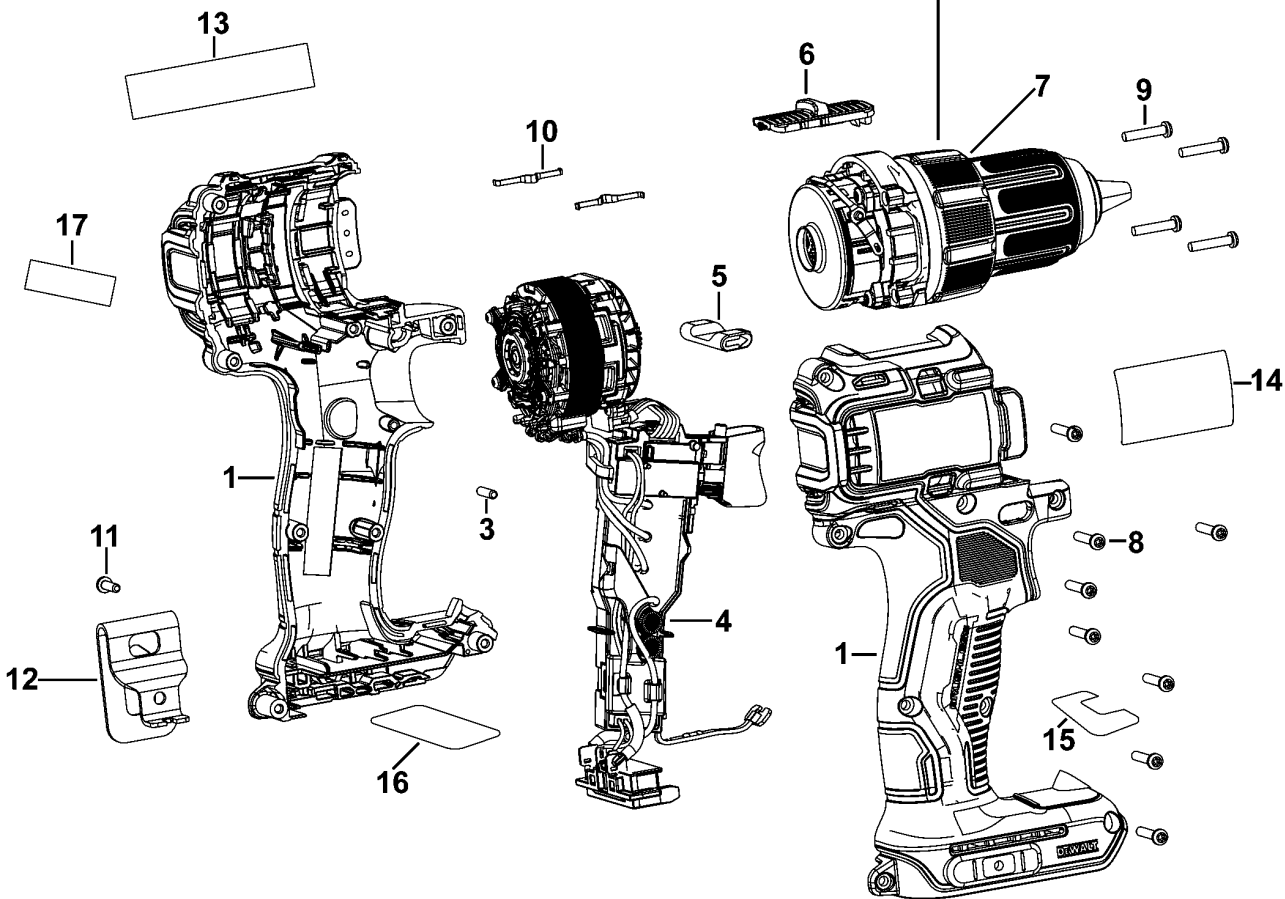



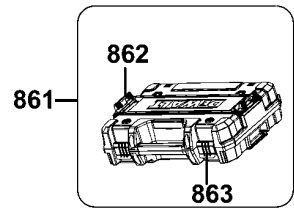


7



-  800
-  866
-  871



## Parts List DCD709 HAMMER DRILL 1

Item	Part Number	Qty	Part Description	General Description	Other Info	Repair Inst	Markets
1	N637986	1	HOUSING SA			No	
3	N071836	1	ROLL PIN			No	
4	N613571	1	MOTOR & SWITCH SA			No	QW
5	N399342	1	ACTUATOR FWD/REV			No	
6	N696450	1	SELECTOR SA			No	
7	N702455	1	TRANSMISSION SA			No	
8	N463678	8	SCREW			No	
9	N474504	4	SCREW			No	
10	N014681	2	LEAF SPRING			No	
11	N042665	1	SCREW	M3 X 10		No	
12	N086039	1	HOOK			No	
13	N616498	1	BRAND LABEL	18V XR		No	
14	N614903	1	RATING PLATE	EURO		No	QW
16	N592684	1	LABEL	BRUSHLESS		No	
17	N618507	1	LABEL	FOOT		No	QW
18	N696825	1	CLUTCH HOUSING KIT			No	
19	N602515	1	SPRING			No	
20	N544404	1	WASHER			No	
21	N527878	1	SPRING			No	
22	N647198	1	HOLDER			No	
23	N543649	1	NUT			No	
24	N598613	1	GEAR			No	
25	N598614	1	GEAR			No	
26	N618571	1	WASHER			No	
27	N613395	1	WASHER			No	
28	N616763	1	SPRING			No	
29	N618143	1	COLLAR			No	
30	N696446	1	SPINDLE SA			No	
31	N039795	5	SCREW			No	
32	N196034	1	CHUCK KEYLESS			No	
33	N092854	1	SCREW	LH THD 1/4 -28		No	
34	330004-27	1	BEARING,NEEDLE			No	
35	N645931	6	PIN			No	

## Parts List DCD709 HAMMER DRILL 1

Item	Part Number	Qty	Part Description	General Description	Other Info	Repair Inst	Markets
36	N090435	1	WASHER			No	
37	N022985	1	LOCKING RING			No	
38	N645930	1	ANVIL ASSEMBLY			No	
39	N560646	1	O RING			No	
40	N507193	4	PIN			No	
41	N551385	1	GEAR			No	
42	N696448	1	CARRIER SA			No	
43	N543018	1	GEAR			No	
44	N548368	1	WASHER			No	
45	N543943	1	GEAR			No	
46	N544134	1	HOUSING			No	
47	N541904	1	LINK			No	
48	N075506	4	SCREW	M3.12 X 13		No	
49	N542091	1	WIRE STEEL			No	
50	N541279	1	GEAR	2ND RING GEAR		No	
51	N678083	1	CARRIER SA			No	
52	N541277	4	GEAR			No	
53	N678084	1	CARRIER SA			No	
54	N541276	1	GEAR			No	
55	N541274	4	GEAR			No	
56	N551410	1	BACKPLATE			No	
800	286436-00	1	GREASE	500 gms		No	
861	N442424	1	KIT BOX	TSTAK	DCD709D2T	No	
861	N526408	1	KITBOX	5S1P T-STAK	DCD709L2T	No	
862	H1500082008	2	LATCH			No	
863	P910190	2	LATCH			No	
866	N394624	1	BATTERY 18V - 5.0AH - 90WH	Li-Ion - DCB184-XJ	DCD709P2T	No	QW
866	N195933	1	BATTERY 18V - 4.0AH - 72WH	Li-Ion - DCB182-XJ	DCD709M2	No	QW
866	N195933	1	BATTERY 18V - 4.0AH - 72WH	Li-Ion - DCB182-XJ	DCD709L2T	No	QW
866	N314783	1	BATTERY 18V - 2.0AH - 36WH	Li-Ion - DCB183-XJ	DCD709S2T	No	QW
866	N314783	1	BATTERY 18V - 2.0AH - 36WH	Li-Ion - DCB183-XJ	DCD709D2T	No	QW
871	N450536	1	CHARGER (EURO)	DCB115-QW - 4.0A		No	QW